

2

REPLACEMENT PARTS

FLAIL BLADES

P/N 350251.

A complete replacement set. 52 of our high quality flail blades for your CR. Includes 8 new lock clips for replacement installation.

FLAIL SHAFTS

P/N 350185.

A full set of four shafts for replacement. Includes 8 new lock clips for replacement installation.

Note: We recommend replacing the shafts when you replace flails.

DRIVE BELT

P/N 350207.

Original Equipment drive belt for your CR.

SPACER BUMPERS

P/N 350258.

A complete replacement set. 44 of 1/2" spacer bumpers and 4 of 1/4" spacer bumpers

ACCESSORIES

SLICING REEL

P/N 350252.

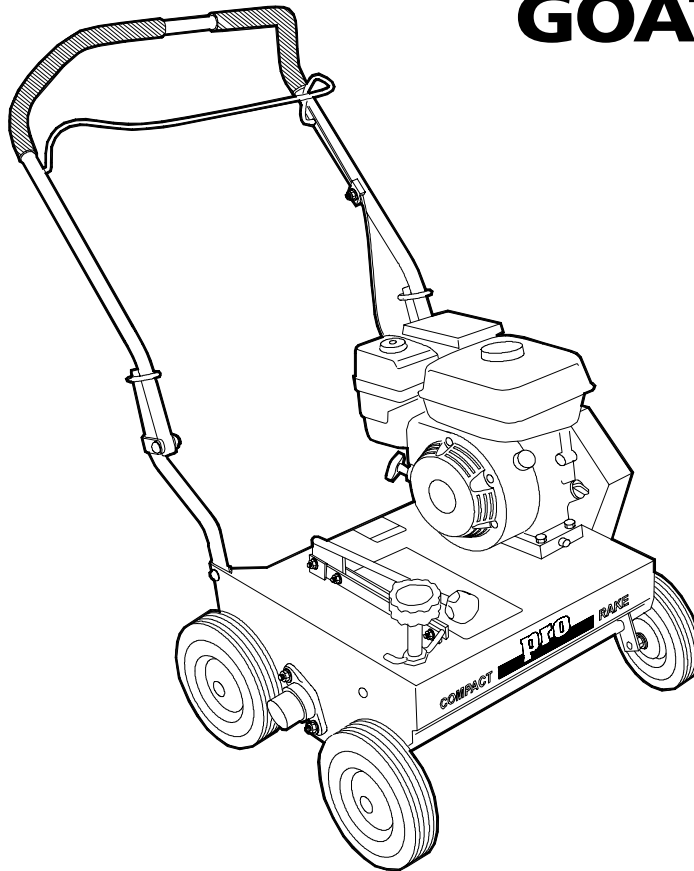
A complete verti-slicing reel for your CR. 20" wide reel for use in grasses that require vertical cutting, and for assisting in lawn overseeding projects.

SLICING BLADES

P/N 350187.

A full set of twenty blades for replacement. Includes 40 new capscrews, and lock nuts for replacement installation.

1



**Thank You for Selecting
The Powerful CR
POWER RAKE**

Operator Owner's Manual

CR450S, CR550, CR550HC, CR550H

3

Specifications

	CR450S	CR550HC	CR550	CR550H
ENGINE: H.P.	4.5 (3.35 kW)	5.0 (3.73 kW)	5.5 (4.1 kW)	5.5 (4.1 kW)
ENGINE: TYPE	SUBARU OHV	HONDA OHC	B&S OHV	HONDA OHV
ENGINE: FUEL CAP.	2.8 qt. (2.7 L)	2.1 qt. (2.0 L)	3.0 qt. (2.84 L)	3.88 qt. (3.41 L)
ENGINE: OIL CAP.	0.63 qt. (0.6 L)	0.63 qt. (0.6 L)	0.66 qt. (0.62 L)	0.69 qt. (0.65 L)
WEIGHT: UNIT	125# (56.8 kg)	125# (56.8 kg)	125# (56.8 kg)	129# (58.6 kg)
WEIGHT: SHIPPING	150# (68.2 kg)	150# (68.2 kg)	150# (68.2 kg)	150# (68.2 kg)
MAX. ENGINE OPERATING SLOPE	20°	20°	15°	20°

5

IN THE INTEREST OF SAFETY



BEFORE STARTING ENGINE, READ AND UNDERSTAND THE "ENTIRE OPERATOR'S MANUAL & ENGINE MANUAL."



THIS SYMBOL MEANS WARNING OR CAUTION. DEATH, PERSONAL INJURY AND/OR PROPERTY DAMAGE MAY OCCUR UNLESS INSTRUCTIONS ARE FOLLOWED CAREFULLY.



WARNING: The Engine Exhaust from this product contains chemicals known to the State of California to cause cancer, birth defects or other reproductive harm.

WARNING: DO NOT

1. **DO NOT** run engine in an enclosed area. Exhaust gases contain carbon monoxide, an odorless and deadly poison.
2. **DO NOT** place hands or feet near moving or rotating parts.
3. **DO NOT** store, spill or use gasoline near an open flame, or devices such as a stove, furnace, or water heater which use a pilot light or devices which can create a spark.
4. **DO NOT** refuel indoors where area is not well ventilated. Outdoor refueling is recommended.
5. **DO NOT** fill fuel tank while engine is running. Allow engine to cool for 2 minutes before refueling. Store fuel in approved safety containers.
6. **DO NOT** remove fuel tank cap while engine is running.
7. **DO NOT** operate engine when smell of gasoline is present or other explosive conditions exist.
8. **DO NOT** operate engine if gasoline is spilled. Move machine away from the spill and avoid creating any ignition until the gasoline has evaporated.
9. **DO NOT** transport unit with fuel in tank.
10. **DO NOT** smoke when filling fuel tank.
11. **DO NOT** choke carburetor to stop engine. Whenever possible, gradually reduce engine speed before stopping.
12. **DO NOT** run engine at excessive speeds. This may result in injury & /or damage to unit.

13. **DO NOT** tamper with governor springs, governor links or other parts which may change the governed engine speed.
14. **DO NOT** tamper with the engine speed selected by the engine manufacturer.
15. **DO NOT** check for spark with spark plug or spark plug wire removed. Use an approved tester.
16. **DO NOT** crank engine with spark plug removed. If engine is flooded, place throttle in "FAST" position and crank until engine starts.
17. **DO NOT** strike flywheel with a hard object or metal tool as this may cause flywheel to shatter in operation. Use proper tools to service engine.
18. **DO NOT** operate engine without a muffler. Inspect periodically and replace, if necessary. If engine is equipped with muffler deflector, inspect periodically and replace, if necessary, with correct deflector.
19. **DO NOT** operate engine with an accumulation of grass, leaves, dirt or other combustible material in the muffler area.
20. **DO NOT** use this engine on any forest covered, brush covered, or grass covered unimproved land unless a spark arrester is installed on the muffler. The arrester must be maintained in effective working order by the operator. In the State of California the above is required by law (Section 4442 of the California Public Resources Code). Other states may have similar laws. Federal laws apply on federal lands.

21. **DO NOT** touch hot muffler, cylinder, or fins because contact may cause burns.
22. **DO NOT** run engine without air cleaner or air cleaner cover.
23. **DO NOT** operate during excessive vibration!
24. **DO NOT** leave machine unattended while in operation.
25. **DO NOT** park machine on a steep grade or slope.

WARNING: DO

1. **ALWAYS DO** remove the wire from the spark plug when servicing the engine or equipment TO PREVENT ACCIDENTAL STARTING.
2. **DO** keep cylinder fins and governor parts free of grass and other debris which can affect engine speed.
3. **DO** pull starter cord slowly until resistance is felt. Then pull cord rapidly to avoid kickback and prevent hand or arm injury.
4. **DO** examine muffler periodically to be sure it is functioning effectively. A worn or leaking muffler should be repaired or replaced as necessary.
5. **DO** use fresh gasoline. Stale fuel can gum carburetor and cause leakage.
6. **DO** check fuel lines and fittings frequently for cracks or leaks. Replace if necessary
7. **Follow** engine manufacturer operating and maintenance instructions.
8. **Inspect** machine and work area before starting unit.

6

TABLE OF CONTENTS

SAFETY INSTRUCTIONS	2
GENERAL SAFETY	3
ASSEMBLY	3
CONTROLS	4
LABELS	4
OPERATION	5 - 6
MAINTENANCE	7
PARTS DRAWING & LIST...	8 - 11
TROUBLESHOOTING	12
WARRANTY PROCEDURE	12

7

SOUND

Sound tests conducted were in accordance with 2000/14/EEC and were performed on 2/9/2002 under the conditions listed:

NOTE: Sound power level listed is the highest value for any model in this manual. Please refer to serial plate on the unit for the sound power level for your model.

Sound level of 81 dBA at operator position



99 dBA

GENERAL CONDITION:	Sunny
TEMPERATURE:	43° F (6.1° C)
WIND SPEED:	10 MPH (16.1 kmh)
WIND DIRECTION:	North West
HUMIDITY:	82.2 %
BAROMETRIC PRESSURE:	29.72" Hg (754mm Hg)

8


VIBRATION

VIBRATION LEVELS 3.2 g max.
Vibration levels at the operators handles were measured in the vertical, lateral, and longitudinal directions using calibrated vibration test equipment. Tests were performed on 09/08/97 under the conditions listed:



GENERAL CONDITION:	Sunny
TEMPERATURE:	85° F (29.4° C)
WIND SPEED:	10 MPH (16.1 kmh)
WIND DIRECTION:	East
HUMIDITY:	31 %
BAROMETRIC PRESSURE:	29.91" Hg (760mm Hg)



GENERAL SAFETY

For your safety and the safety of others, these directions should be followed:

 Do not operate this machine without first reading owner's manual and engine manufacturer's manual.

  Use of Ear Protection is recommended while operating this machine.

  Use of Eye and Breathing protection is recommended when using this machine, especially in dry and dusty conditions.


  Wearing gloves is recommended while operating this machine.

- DO NOT place hands or feet underneath unit, near debris outlet or near any moving parts.
- DO NOT start engine without height adjust lever in up position and clutch bail disengaged.
- DO NOT start or operate machine with guards removed.
- DO NOT perform any service on the unit without removing the spark plug wire.

- DO NOT operate a machine that exhibits excessive vibration.
- DO NOT operate this machine on slopes greater than 19°.
- DO NOT use this unit on any surface other than grass lawns.
- DO NOT allow children to operate this equipment.

- DO read all maintenance and operating instructions before beginning work.
- DO read all engine manufacturers operating and maintenance instructions.
- DO inspect lawn before beginning work. Remove all rocks, wire, string, or other objects that can present a hazard during work prior to starting.
- DO identify and mark all fixed objects to be avoided during work, such as sprinkler heads, water valves, buried cables, or clothes line anchors, etc.

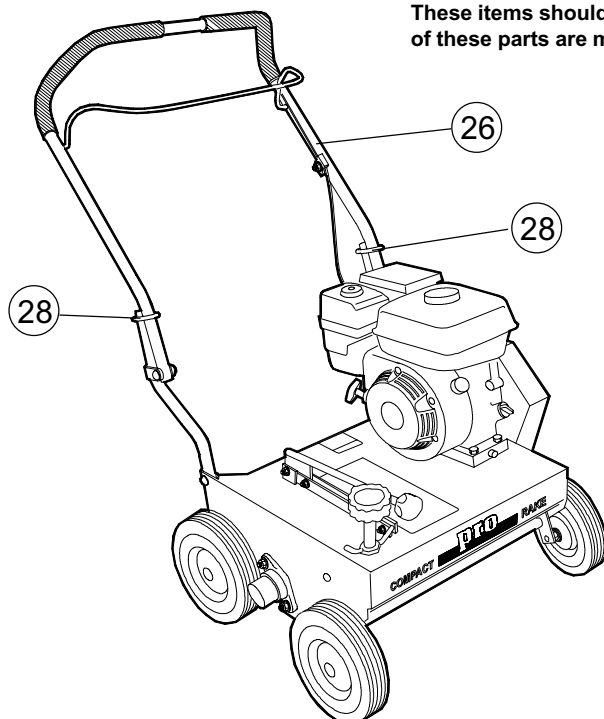
10 ASSEMBLY

 Read all safety and operating instructions before assembling or starting this unit.

 PUT OIL IN ENGINE BEFORE STARTING

1. **ASSEMBLE** left rear wheel to axle using 3/4" wrench.
2. **UNFOLD** the upper handle (item 26) and slide handle lock loops (item 28) into place to secure the upper handle to the lower.
3. **CHECK** engine oil level and fill to proper level with engine manufacturer's recommended grade of oil. Move height adjust lever to down position, to level engine during checking. See engine manufacturer's instruction manual.
4. **CONNECT** spark plug wire.

11 PACKING CHECKLIST

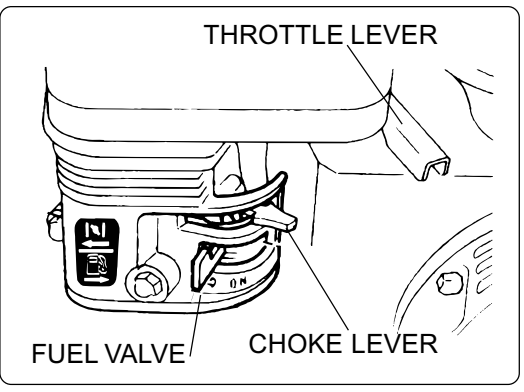


These items should be included in your carton. If any of these parts are missing, contact your dealer.

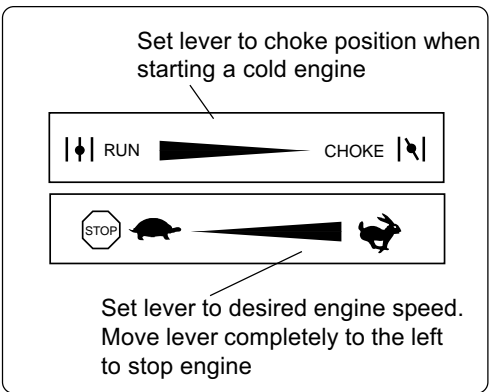
		<i>Per Model</i>
Engine Manual Per Model	Check <input type="checkbox"/>	Briggs & Stratton 6.5 Intek OHV
	Check <input type="checkbox"/>	Honda GX 5.5 OHV
	Check <input type="checkbox"/>	Honda GC 5.0 OHC
	Check <input type="checkbox"/>	Subaru 4.5 OHV
Literature Assembly 350243	Check <input type="checkbox"/>	Owner's Manual 350245
	Check <input type="checkbox"/>	Literature PR Accessories 350246
	Check <input type="checkbox"/>	Warranty Card 400972
	Check <input type="checkbox"/>	EU Declaration of Conformity & EU Distributor List 350139
	Check <input type="checkbox"/>	

13 CONTROLS

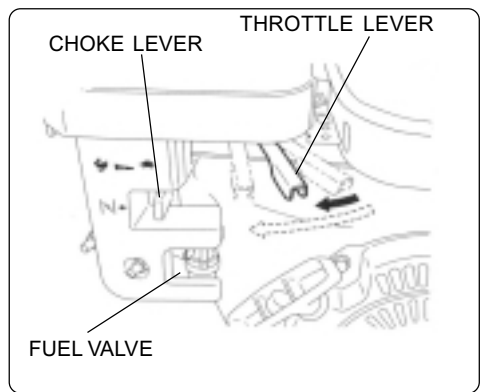
HONDA ENGINE THROTTLE CONTROL



B & S ENGINE THROTTLE CONTROL



SUBARU ENGINE THROTTLE CONTROL



14 INSTRUCTION LABELS

These labels should be included on your Power Rake. If any of these labels are damaged, replace them before putting this equipment into operation. Item and part numbers are given to help in ordering replacement labels.



Label Do Not Fill While Engine Is Hot
Item 50 Part No.400268

Label Danger Keep Hands and Feet Away
Item 51 Part No.400424



Label Danger Flying Material
Item 48 Part No.810736

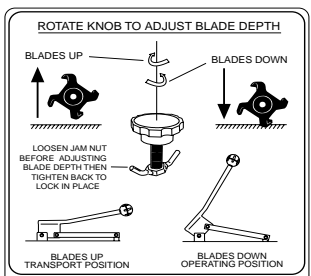


Label Clutch Item 49
Part No.830503



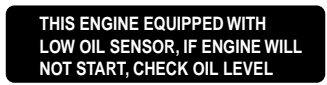
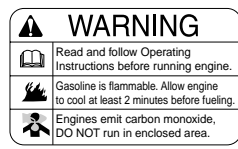
Label Danger Guard
Item 52 Part No.900327

Label Instructions Height Adjust
Item 35 Part No. 350224



15 ENGINE LABELS

Briggs & Stratton



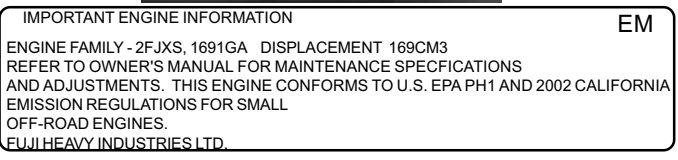
Honda



- READ OWNER'S MANUALS BEFORE OPERATION.
- LIRE LE MANUEL D'UTILISATEUR AVANT USAGE.
- VOR INBETRIEBNAHME UNBEDINGT BEDIENTUNGSANLEITUNG DURCHLESEN.
- NO UTILIZAR SIN ANTES NO HABER LEIDO EL MANUAL.



Subaru



Operation

INTENDED USE: This machine is designed for removing thatch from your lawn, renovation of existing lawns, and to assist in overseeding operations. The machine should not be used for any other purpose than that stated above.

Do not operate if excessive vibration occurs. If excessive vibration occurs, shut engine off immediately and check for damaged or worn reel, loose pulley bolts or set screws, loose engine or lodged foreign objects. (See trouble shooting section on page 12).



Like all mechanical tools, reasonable care must be used when operating machine.

Inspect machine work area and machine before operating. Make sure that all operators of this equipment are trained in general machine use and safety.

STARTING ENGINE



ENGINE: See engine manufacturer's instructions for type and amount of oil and gasoline used.

Engine must be level when checking and filling oil and gasoline.

ENGINE SPEED: Controlled by throttle lever on the engine. Under normal conditions, operate at full throttle to accomplish your task.

FUEL VALVE: Move fuel valve to "ON" position (Honda only).

CHOKE: Operated with lever on the engine.

THROTTLE: Move throttle control on engine to fast position. Pull starting rope to start engine.

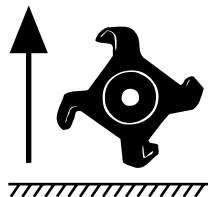
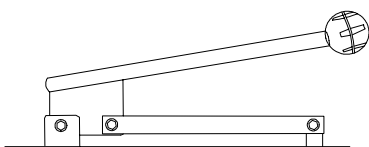
IF YOUR UNIT FAILS TO START:

See Troubleshooting on page 12.

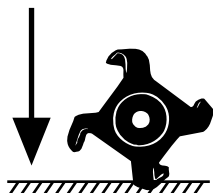
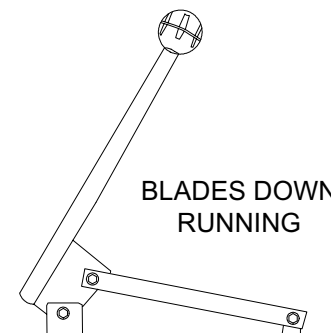
BLADE POSITION & DEPTH CONTROL LEVER

The blades can be raised or lowered into the ground by height adjustment lever on the engine base. The resulting blade depth can be adjusted higher or lower. See ADJUSTING BLADE DEPTH.

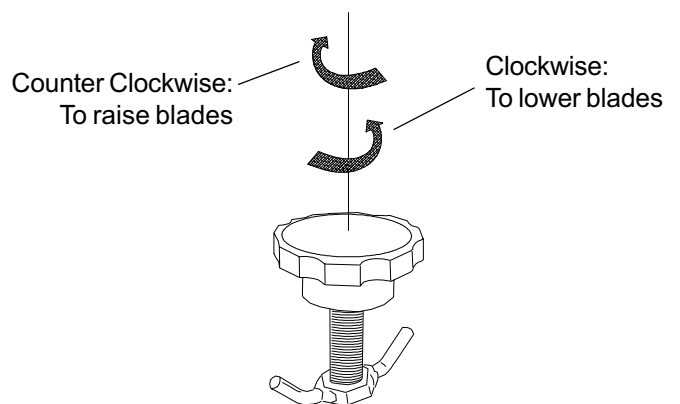
BLADES UP



BLADES DOWN
RUNNING



ADJUSTING BLADE DEPTH



The depth of the blades can be raised or lowered by rotating the knob on the top of the adjustment lever. The blades are lowered by rotating the knob clockwise, and raised by rotating the knob counter-clockwise. The relative depth of the blades can be gauged by using the depth scale located on the right front corner of the engine base.

RAKING OPERATION



DO NOT- Use this machine on any surface other than a lawn.

DO NOT- Use this machine on slopes in excess of 19°.

DO NOT- Allow persons unfamiliar with this equipment to operate it.

DO NOT- Allow children to operate this equipment.

MOW: Mow the lawn to it's normal cut height

DRY: Be sure grass is dry. Wet conditions can cause increased damage to healthy grass.

SET DEPTH: With engine off, set the raking depth so that the blades just touch on a flat surface (i.e. driveway, or sidewalk).

START ENGINE: See above.

ENGAGE BLADES: Pull back on the bail on the operators handle. **NOTE:** When engaging the blades in heavy load conditions (i.e. heavy thatch, or very uneven turf), push down on the operators handle lifting the front wheels slightly. Engage the blades. Slowly lower the unit into the turf.

RAKE: Rake a small test area and examine the results. Thatch should be removed and deposited on top of the healthy grass. If excessive damage occurs to healthy grass, adjust the blade depth to decrease damage. Continue raking the yard, working in one direction (i.e. north-south, or east-west).

NOTE: If a large drop in engine RPM occurs, or the unit pulls you forward and bounces during operation the blade depth is set too low.

REMOVE THATCH: After raking, a layer of thatch will be deposited over the top of the lawn. This thatch must be removed prior to any fertilizing, seeding, or watering of the lawn. We suggest the use of a lawn vacuum or wheeled blower for collection and removal of the thatch.

VERTI-CUTTING OPERATION

- DO NOT-** Use this machine on any surface other than a lawn.
DO NOT- Use this machine on slopes in excess of 19°.
DO NOT- Allow persons unfamiliar with this equipment to operate it.
DO NOT- Allow children to operate this equipment.

MOW: Mow the lawn to it's normal cut height

DRY: Be sure grass is dry. Wet conditions can cause increased damage to healthy grass.

SET DEPTH: With engine off, set the raking depth so that the blades just touch on a flat surface (i.e. driveway, or sidewalk).

START ENGINE: See Page 5.

ENGAGE BLADES: Pull back on the bail on the operators handle. **NOTE:** When engaging the blades in heavy load conditions (i.e. heavy thatch, or very uneven turf), push down on the operators handle lifting the front wheels slightly. Engage the blades. Slowly lower the unit into the turf.

SLICE: Verti-cut a small test area and examine the results. Some thatch and cut stems should be removed and deposited on top of the healthy grass. Grass runners should be cut and ready for removal. If excessive damage occurs to healthy grass, adjust the blade depth to decrease damage. Continue raking the yard, working in one direction (i.e. north-south, or east-west). **NOTE:** If a large drop in engine RPM occurs, or the unit pulls you forward and bounces during operation the blade depth is set too low.

REMOVE THATCH/STEMS: After verti-cutting, a layer of thatch and cut stems will be deposited over the top of the lawn. We suggest the use of a lawn vacuum or wheeled blower for collection and removal of the thatch/stems.

OVERSEEDING OPERATION

- DO NOT-** Use this machine on any surface other than a lawn.
DO NOT- Use this machine on slopes in excess of 19°.
DO NOT- Allow persons unfamiliar with this equipment to operate it.
DO NOT- Allow children to operate this equipment.

MOW: Mow the lawn to it's normal cut height

DRY: Be sure grass is dry. Wet conditions can cause increased damage to healthy grass.

SEED: Spread grass seed according to the seed suppliers directions (e.g. 10 lbs. per 1000 ft² [4.5 kg. per 93 m²])

SET DEPTH: With engine off, set the raking depth so that the blades reach 1/4"-1/2"(6-12 mm) below a flat surface (i.e. driveway, or sidewalk).

START ENGINE: See Page 5.

ENGAGE CLUTCH: Pull back on the bail on the operators handle. **NOTE:** When engaging the clutch in heavy load conditions (i.e. heavy thatch, or very uneven turf), push down on the operators handle lifting the front wheels slightly. Engage the clutch. Slowly lower the unit into the turf.

OVERSEEDING OPERATION continued

SLICE: Run machine over the area that has been seeded to incorporate the seed into the soil. If excessive damage occurs to healthy grass, adjust the blade depth to decrease damage. Continue raking the yard, working in one direction (i.e. north-south, or east-west). **NOTE:** If a large drop in engine RPM occurs, or the unit pulls you forward and bounces during operation the blade depth is set too low.

WATER/FERTILIZE: After the seed has been worked into the soil, water and fertilize according to the seed suppliers directions.

Hints!**RAKING/SLICING TIPS**

THATCH: Thatch is a dense layer of dead grass, clippings, and roots that builds up over time at the base of the lawn preventing air, water, and fertilizer from reaching the soil. This can cause shallow root development and make a lawn more susceptible to drought and disease. Thatch also provides an ideal environment for insects to hide and multiply. Periodic removal of thatch will keep your lawn in good health.

HEAVY THATCH: Lawns with an excessive amount of thatch will require multiple treatments for effective removal. Trying to remove excessive thatch (greater than 3/4"[19 mm] deep) in one treatment will damage or destroy the living part of the lawn. It is best to remove heavy thatch in seasonal treatments (i.e. spring, and fall).

CHECK: Before beginning, it is best to evaluate the condition of the lawn by cutting one or more core samples from area to be treated. A core can be cut using a piece of pvc, or metal pipe. Hammer the pipe into the ground, remove it, push the core out of the pipe and inspect it to determine the depth of thatch in your yard.

SLOPES: Rake slopes across not up and down. This is much easier and safer for the operator and is better for the lawn. Raking across will help to reduce runoff during watering and allow the sloped ground to hold more seed, fertilizer, and water. The units maximum operating slope is 35% or 19°.

DEPTH: The wide range of depth adjustment on your unit is provided to allow for blade wear. Setting the reel deeper will not produce better, or quicker results. The flail reel is intended to be set so it just touches the surface on flat ground. The slicing reel should be set even with the ground for verti-slicing work, and set to a maximum 1/2" depth for overseeding jobs. Setting the reel deeper than this will only result in premature wear on the unit (i.e. failed belt). If you desire to work the ground deeper than the above guidelines allow, it should be done gradually in multiple passes.

FOLDING HANDLE

This unit is equipped with a folding upper handle for easier storage and transportation. The handle can be folded by sliding the handle lock loops(item 28) up. This releases the upper handle, allowing it to be folded over the unit.

HANDLING & TRANSPORTING

This unit requires two people to lift it. With the handle in the folded position, lift holding the lower handle and belt/shaft guard one on each side of the machine. Secure the machine in place during transport.

MAINTENANCE



Use only a qualified mechanic for any adjustments, disassembly or any kind of repair .



WARNING: TO AVOID PERSONAL INJURY, ALWAYS TURN MACHINE OFF, MAKE SURE ALL MOVING PARTS COME TO A COMPLETE STOP.



DISCONNECT SPARK PLUG WIRE BEFORE SERVICING UNIT.



ENGINE: See engine manufacturer operator's instructions.



RECONNECT SPARK PLUG WIRE, AND ALL GUARDS, BEFORE STARTING ENGINE.



USE ONLY BILLY GOAT ORIGINAL EQUIPMENT PARTS FOR REPLACEMENT AND REPAIR

BLADE WEAR AND ROTATING REEL END TO END

FLAIL BLADE WEAR

1. Wait for engine to cool and disconnect spark plug.
2. Close fuel valve on engine. (Honda only)
3. Lean unit back onto lower handles and secure in place.
4. Inspect blades for wear, and immediately replace any bent or cracked blades. Measure the overall length of the blade. (See fig. 1)
5. If blades measure less than 3.0"(76 mm) in overall length they must be replaced. NOTE: We recommend replacing all the flails at once.

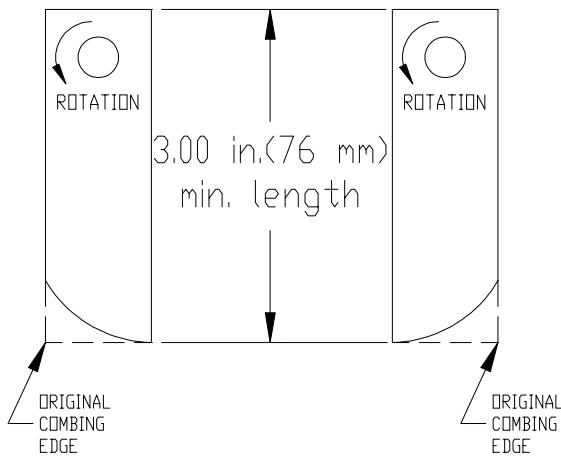


Fig. 1

ROTATING FLAIL REEL END TO END

To maximize flail blade life and performance the reel can be rotated end to end periodically to provide a fresh lead cutting edge. Takes approx. 20 min. and requires two 1/2" socket wrenches with extension bar.

1. Wait for engine to cool and disconnect spark plug.
2. Close fuel valve on engine. (Honda only)
3. Lean unit back onto lower handles and secure in place.
4. Remove (6) lock nuts(item 62) holding the belt and shaft guards(item 21 &22) in place. It is necessary to lower the height adjust lever to reach the locknuts on the guards. Remove the guards.
5. Remove the drive belt(item 9) by "walking" it out of the groove on the reel pulley(item 2).
6. Remove the (4) lock nuts(item 60) and washers(item 68) holding the bearings(item 23) to the frame of the unit.
7. The reel is now free from the machine. Slide the reel down and out of the machine.
8. Remove the capscrew(item 71), lockwasher(item 57), reel pulley(item 2), key(item 42), and reel spacer(item 10) from the end of the reel.
9. Rotate the reel end to end, and re-install these items on the opposite end of the reel.
10. Re-install the reel in reverse order of removal. Re-install the guards in reverse order of removal.

DRIVE BELT REPLACEMENT

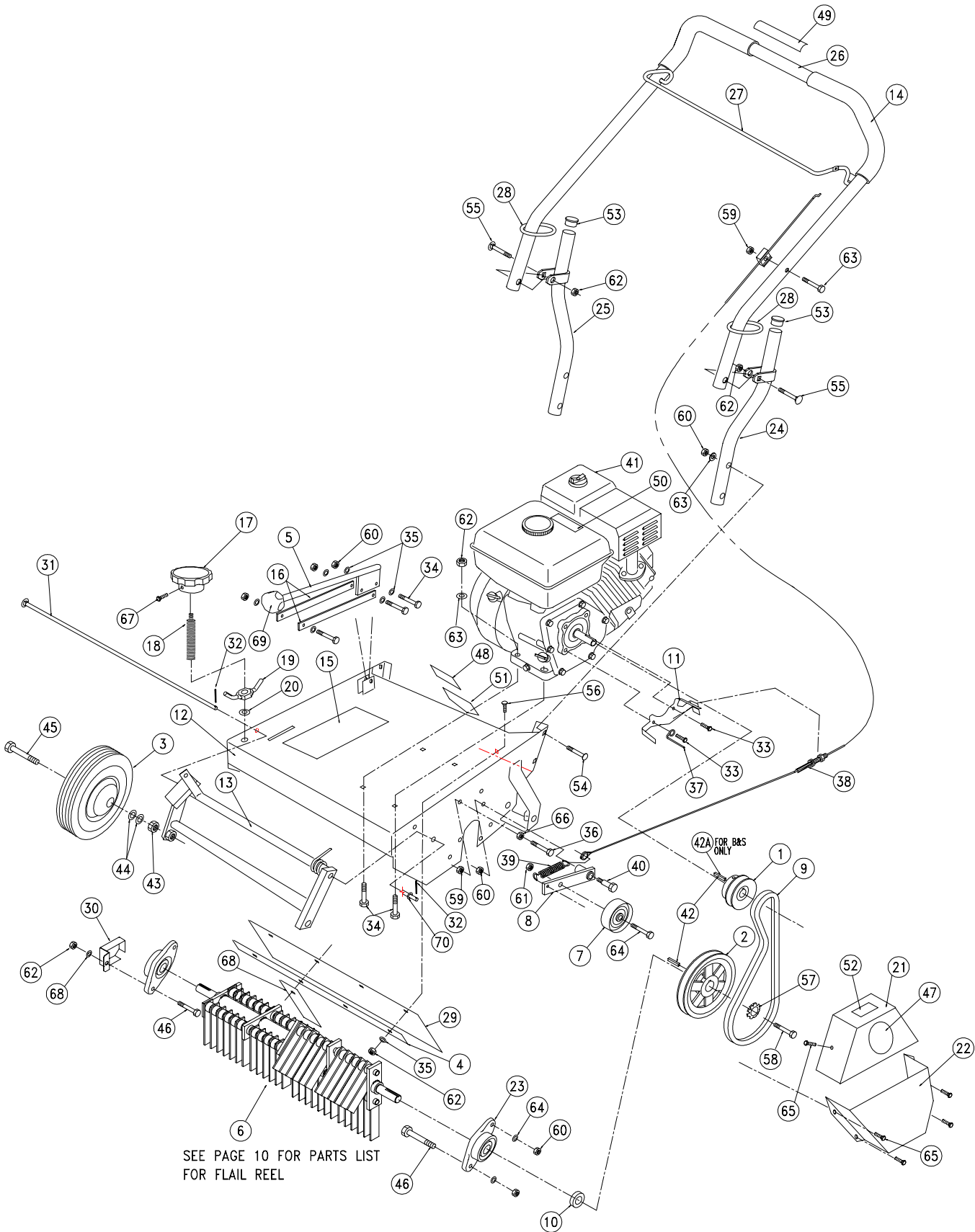
NOTE: Takes approx. 10 min. and requires 3/8" socket wrench with extension.

1. Wait for engine to cool and disconnect spark plug.
2. Remove (3) lock nuts(item 62) holding the belt guard(item 21) in place. It is necessary to lower the height adjust lever to reach the locknuts on the guard. Remove the guard.
3. Remove the belt(item 9) by rotating the reel pulley(item 2) and walking it out of the groove. Discard old belt
4. Install new belt using same procedure to walk the belt into the groove.
5. With new belt installed pull bail rod back to engaged position and measure extension of idler spring. Spring should stretch 1" to 1.25" (25-32 mm) with bail engaged. Adjust clutch cable as necessary to achieve this extension.
6. Re-install the belt guard.

Maintenance Schedule

Follow these hourly maintenance intervals.

Maintenance Operation	Every Use (Daily)	Every 25 hrs
Engine (See Engine Manual)		
Check engine oil	●	
Inspect and clean engine air filter	●	
Grease reel bearings		●
Inspect belt		●
Inspect for loose, worn, or damaged parts		●
Oil height adjustment linkage		●

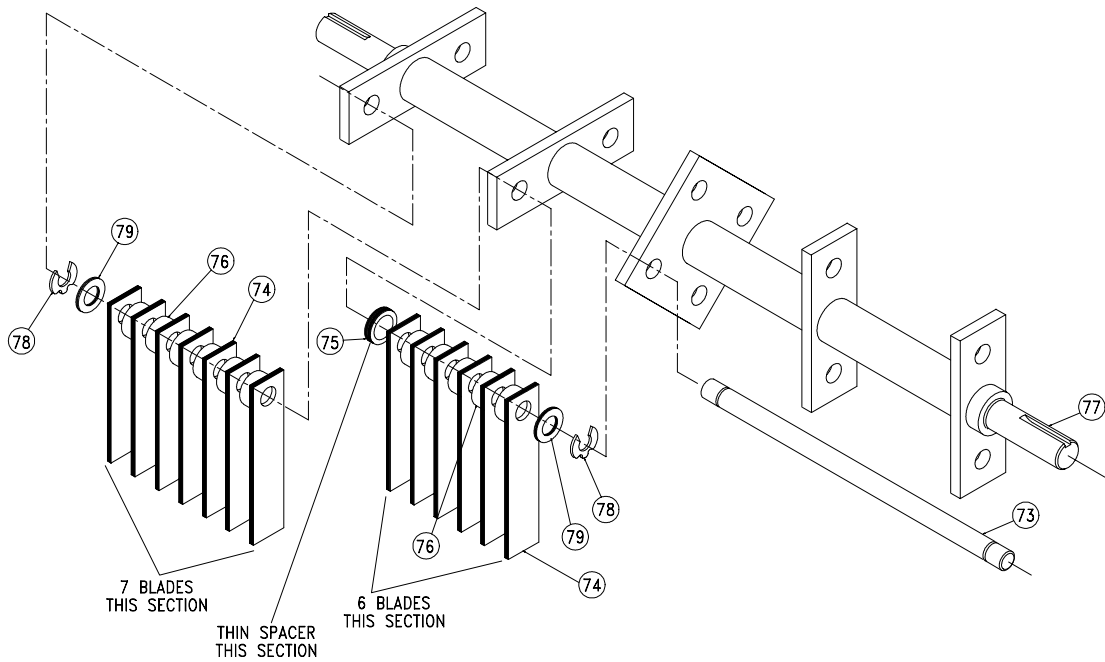


18 PARTS DRAWING

**CR450S, CR550,
CR550HC, CR550H**

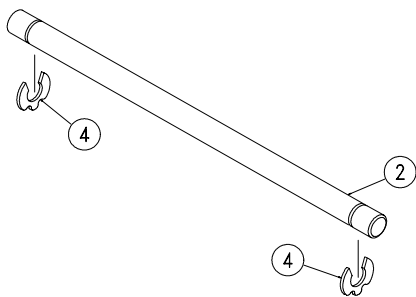
item no.	PARTS LIST	CR550 Part No.	QTY	CR550H Part No.	QTY	CR550HC Part No.	QTY	CR450S Part No.	QTY
1	Pulley 3.0" O.D.	350101-01	1	350101	1	350101	1	350101	1
2	Pulley 5.5" O.D. X ¾"	350206	1	350206	1	350206	1	350206	1
3	Wheel 8" Semi-Pneu White	350236	4	350236	4	350236	4	350236	4
4	Bar Strap	350211	1	350211	1	350211	1	350211	1
5	Rod Height Wa	350220	1	350220	1	350220	1	350220	1
6	Reel Flail Assy (see page xx for parts list and detailed dwg.)	350241	1	350241	1	350241	1	350241	1
7	Pulley Idler 2.75"	350114	1	350114	1	350114	1	350114	1
8	Arm Idler WA	350115	1	350115	1	350115	1	350115	1
9	Belt 5L X 34"	350207	1	350207	1	350207	1	350207	1
10	Spacer Reel Pulley	350118	1	350118	1	350118	1	350118	1
11	Bracket Belt Finger	350208	1	350208	1	350208	1	350208	1
12	Chassis WA W/ Label	350235	1	350235	1	350235	1	350235	1
13	Frame Front WA	350213	1	350213	1	350213	1	350213	1
14	GRIP 1" x 13"	400570	2	400570	2	400570	2	400570	2
15	Label Instr. Hgt. Adj.	350224	1	350224	1	350224	1	350224	1
16	Link Height Bar	350223	1	350223	1	350223	1	350223	1
17	Knob Height Adj.	850154	1	850154	1	850154	1	850154	1
18	STUD 3/4"-10 X 5 1/2" PLTD	810538	1	810538	1	810538	1	810538	1
19	LOCKNUT ASSY	800227	1	800227	1	800227	1	800227	1
20	WASHER 3/4" NYLON	800109	1	800109	1	800109	1	800109	1
21	Guard Belt Top Wa	350248	1	350248	1	350248	1	350248	1
22	Guard Belt Bottom Wa	350249	1	350249	1	350249	1	350249	1
23	Bearing ¾" Cast Flange	350209	2	350209	2	350209	2	350209	2
24	Handle Lower LH WA	350134	1	350134	1	350134	1	350134	1
25	Handle Lower RH WA	350135	1	350135	1	350135	1	350135	1
26	Handle Upper PR500	350136	1	350136	1	350136	1	350136	1
27	Bail Clutch WA	350137	1	350137	1	350137	1	350137	1
28	Loop Folding Handle	350138	2	350138	2	350138	2	350138	2
29	Deflector Rubber	350210	1	350210	1	350210	1	350210	1
30	Guard Shaft CR	350250	1	350250	1	350250	1	350250	1
31	PIN LIFT FRONT 3/8" X 21 3/16" Long	350212	1	350212	1	350212	1	350212	1
32	PIN COTTER 1/8" X 1" Z/P	8197031	1	8197031	1	8197031	1	8197031	1
33	SCREWCAP 5/16-24x3/4" GR5	8042026	2	8042026	2	8042026	2	8042026	2
34	SCREWCAP 5/16 - 18 x 1 1/2	8041030	7	8041030	7	8041030	7	8041030	7
35	WASHER 1/4" FLAT Z/P	8171002	8	8171002	8	8171002	8	8171002	8
36	SCREWCAP 1/4"-20X2 1/2"	8041012	1	8041012	1	8041012	1	8041012	1
37	BELT FINGER WIRE	350301	1	350301	1	350301	1	350301	1
38	Cable Clutch Reel PR500	350181	1	350181	1	350181	1	350181	1
39	Spring Extension	350300	1	350300	1	350300	1	350300	1
40	Bolt Shoulder 1/2" X 1"	500114	1	500114	1	500114	1	500114	1
41	ENGINE HONDA 5.5 H.P. GX160	-	-	600115	1	-	-	-	-
	ENGINE INTEK 5.5HP OHV B&S	350197	1	-	-	-	-	-	-
	ENGINE HONDA 5.0 HP GC	-	-	-	-	430272	1	-	-
	ENGINE SUBARU 4.5 HP OHV	-	-	-	-	-	-	610437	1
1	KEY 3/16" X 1/2"	9201071	1	9201071	2	9201071	2	9201071	2
42A	KEY 1/4" x 1"	9201113	1	-	-	-	-	-	-
43	NUT 1/2 - 13 JAM	8162005	4	8162005	4	8162005	4	8162005	4
44	WASHER 1/2 SAE	8172011	8	8172011	8	8172011	8	8172011	8
45	SCREWCAP 1/2-13 x 3" Z/P	8041102	4	8041102	4	8041102	4	8041102	4
46	SCREWCAP 5/16"-18X1 1/4" HCS ZP	8041029	4	8041029	4	8041029	4	8041029	4
47	LABEL LOGO	890456	1	890456	1	890456	1	890456	1
48	LABEL DANGER THROWN OBJECT	810736	1	810736	1	810736	1	810736	1
49	LABEL CLUTCH VQ	830503	1	830503	1	830503	1	830503	1
50	LABEL HOT ENGINE	400268	1	400268	1	400268	1	400268	1
51	LABEL WARNING	400424	2	400424	2	400424	2	400424	2
52	LABEL DANGER GUARD	900327	1	900327	1	900327	1	900327	1
53	PLUG CAP 1" RD	890132	2	890132	2	890132	2	890132	2
54	BOLT CARRAIGE 3/8-16 x 1 3/4	8024061	4	8024061	4	8024061	4	8024061	4
55	BOLT CARRAIGE 5/16-18 x 1 3/4	8024043	2	8024043	2	8024043	2	8024043	2
56	SCREWCAP 1/4-20X1"	8041006	4	8041006	4	8041006	4	8041006	4
57	LOCK WASHER 3/8 TWISTED TOOTH	400502	1	400502	1	400502	1	400502	1
58	SCREWCAP 3/8 X 16 x 1"	8041050	1	8041050	1	8041050	1	8041050	1
59	NUT LOCK 1/4-20	8160001	5	8160001	5	8160001	5	8160001	5
60	NUT LOCK 3/8-16	8160003	4	8160003	4	8160003	4	8160003	4
61	NUT LOCK 3/8-16 THIN	8161042	1	8161042	1	8161042	1	8161042	1
62	NUT LOCK 1/4-20	8160001	13	8160001	13	8160001	13	8160001	13
63	WASHER 5/16 FLAT CUT	8171003	8	8171003	8	8171003	8	8171003	8
64	SCREWCAP 3/8-16x1 1/4"	8041051	4	8041051	4	8041051	4	8041051	4
65	SCREWCAP SHEET METAL DRILL POINT 1/4X3/4	430208	6	430208	6	430208	6	430208	6
66	NUT JAM 1/4-20	8143001	1	8143001	1	8143001	1	8143001	1
67	SCREW MACH. #10-24X2"	8059143	1	8059143	1	8059143	1	8059143	1
68	BRACE DEFLECTOR	350234	1	350234	1	350234	1	350234	1

FLAIL REEL ASSY 350241



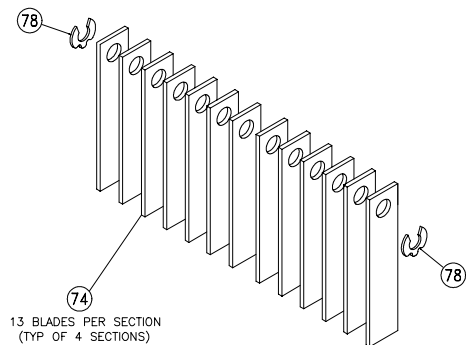
item no.	PARTS LIST	CR500 Part No.	QTY
73	SHAFT FLAIL BLADE	350141	4
74	BLADE FLAIL	350205	52
75	SPACER BUMPER 5/8" x 1/4"	350143	4
76	SPACER BUMPER 5/8" x 1/2"	350144	44
77	SHAFT WA FLAIL REEL	350145	1
78	CLIP LOCK 1/2"	350146	8
79	WASHER 1/2 SAE	8172011	8

FLAIL SHAFT KIT 350185



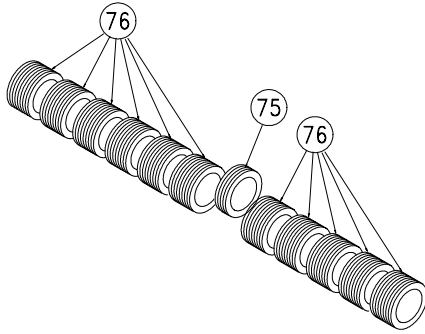
item no.	PARTS LIST	CR500 Part No.	QTY
73	SHAFT FLAIL BLADE	350141	4
78	CLIP LOCK 1/2"	350146	8

FLAIL BLADE KIT 350251



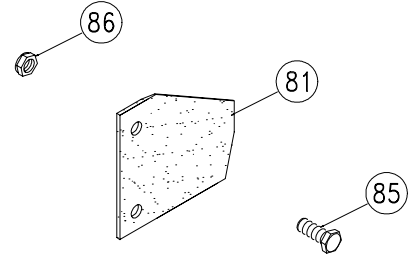
item no.	PARTS LIST	CR500 Part No.	QTY
74	BLADE FLAIL	350205	52
78	CLIP LOCK 1/2"	350146	8

SPACER BUMPER KIT 350258



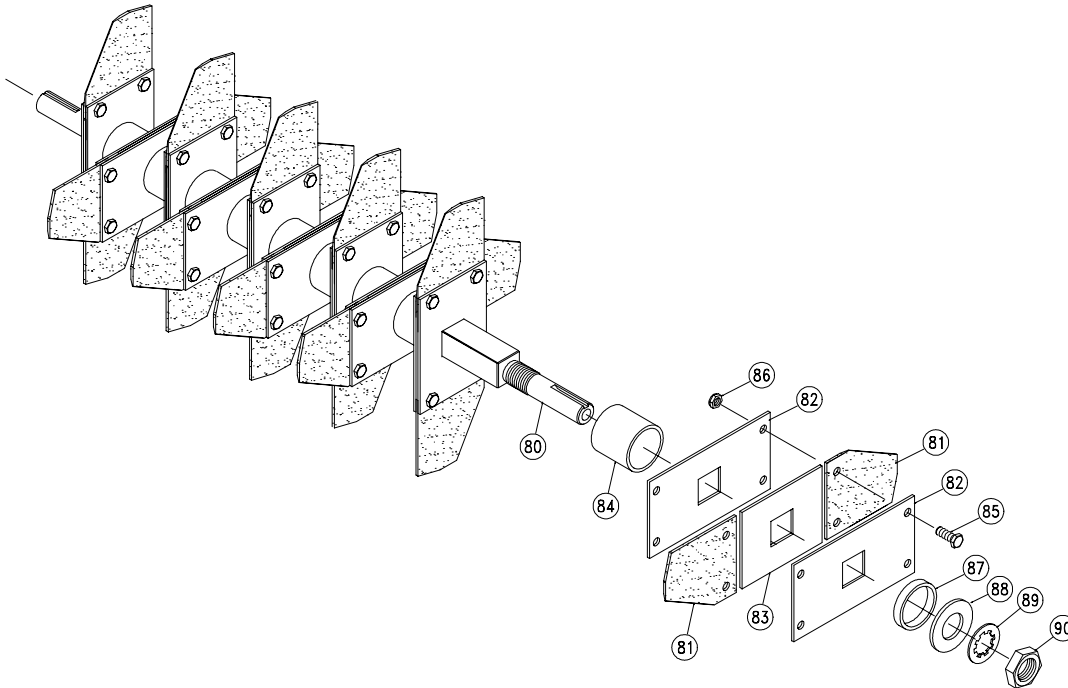
item no.	PARTS LIST	PR500 Part No.	QTY
75	SPACER BUMPER 5/8" x 1/4"	350143	4
76	SPACER BUMPER 5/8" x 1/2"	350144	44

SLICING BLADE KIT 350187



item no.	PARTS LIST	PR500 Part No.	QTY
81	BLADE SLICING REEL	350147	20
85	SCREWCAP 1/4-20 x 3/4, GR. 5	350151	40
86	NUT LOCK 1/4-20	8160001	40

SLICING REEL ASSY 350252



item no.	PARTS LIST	PR500 Part No.	QTY
80	SHAFT SLICING WA	350142	1
81	BLADE SLICING REEL	350147	20
82	PLATE BLADE MTG.	350253	20
83	SPACER BLADE MTG.	350254	10
84	SPACER BLADE ASSY	350150	9
85	SCREWCAP 1/4-20 x 3/4, GR. 5	350151	40
86	NUT LOCK 1/4-20	8160001	40
87	COLLAR SPACER	350152	1
88	WASHER 0.937 x 1.750 x 0.119	350153	1
89	WASHER LOCK 7/8 INT. TOOTH	350154	1
90	NUT JAM 7/8-14	350155	1
91	SCREWCAP 3/8 - 24 x 1" HCS GR. 8	900154	1
92	LOCK WASHER 3/8 TWISTED TOOTH	400502	1

Problem	Possible Cause	Solution
Engine stalls or labors when raking.	Blades set too deep into ground	Raise blades so that they just touch the ground on a level surface.
Abnormal vibration.	Damaged or missing blades. Loose handle bolts. Loose engine bolts	Stop work immediately. Replace any damaged or missing blades. Tighten all loose bolts and nuts.
Engine will not start.	Stop switch off (Honda only). Throttle in off position. Engine not in full choke position. Out of gasoline. Bad or old gasoline. Spark Plug wire disconnected. Dirty air cleaner. Engine oil level too low (Honda only).	Check stop switches, throttle, choke position and gasoline. Connect spark plug wire. Clean or replace air cleaner. Contact a qualified service person.
Engine is locked, will not pull over.	Debris locked against reel, or drive pulleys. Engine problem.	Pull spark plug wire and remove debris. Contact an engine servicing dealer for engine problems.

ENGINE

UNIT STORAGE

GENERAL ENGINE SPECIFICATIONS

ENGINE	HORSEPOWER	MODEL NO.	GOVERNED RPM
BRIGGS & STRATTON	5.5	1104020191E1	3700
HONDA	5.0	GC160AQHA	3600
HONDA	5.5	GX160K1QX	3600
SUBARU	4.5	EX130D50030	3600

⚠ Never store engine indoors or in enclosed poorly ventilated areas with fuel in tank, where fuel fumes may reach an open flame, spark or pilot light, as on a furnace, water heater, clothes dryer or other gas appliance.

If engine is to be unused for 30 days or more, prepare as follows:

⚠ Remove all gasoline from carburetor and fuel tank to prevent gum deposits from forming on these parts and causing possible malfunction of engine. Drain fuel outdoors, into an approved container, away from open flame. Be sure engine is cool. Do not smoke. Run engine until fuel tank is empty and engine runs out of gasoline.

NOTE: Fuel stabilizer (such as Sta-Bil) is an acceptable alternative in minimizing the formation of fuel gum deposits during storage. Add stabilizer to gasoline in fuel tank or storage container. Always follow mix ratio found on stabilizer container. Run engine at least 10 min. after adding stabilizer to allow it to reach the carburetor.


When servicing engine refer to specific manufacturers engine owner's manual. All engine warranty is covered by the specific engine manufacturer. If your engine requires warranty or other repair work contact your local servicing engine dealer. When contacting a dealer for service it is a good idea to have your engine model number available for reference(See table page above). If you can not locate a servicing dealer in your area you can contact the manufacturers national service organization.

To reach:

- Briggs & Stratton:** 800-233-3723
- American Honda:** 800-426-7701
- Subaru America:** 800-277-6246


22.1 Engine Service and Warranty
Contact your nearest engine manufacturer's authorized servicing dealer. (See page 7)

21 Serial Plate Record your machine model, serial number and date-of-purchase and where purchased



BILLY GOAT INDUSTRIES INC.

1803 S. Jefferson
Lee's Summit,
MO 64062 / USA
Tel (816) 524-9666
Fax (816) 524-6983



99 dB

Model	Serial No.
Unit(Weight)	Engine Power
lbs. kg	kW rpm

Purchase Date _____ Purchased from _____

22 WARRANTY PROCEDURE

Please fill in the WARRANTY CARD and send the upper part to Billy Goat. The WARRANTY terms are stated on the lower part which remains with the user. Whenever a Billy Goat Machine is faulty due to a defect in material and / or workmanship, the owner should make a warranty claim as follows:

- The Machine should be taken to the dealer from whom it was purchased or to an authorized Billy Goat dealer.
- The owner should present the remaining half of the Warranty Registration Card, or, if this is not available, the invoice or receipt.
- The Warranty Claim will be filled in by the authorized Billy Goat Dealer, who will send it with the faulty part to Billy Goat headquarters.
- The Quality / Service department at Billy Goat headquarters will study the claim and parts and will notify their conclusions.
- The decision by the Quality / Service department at Billy Goat headquarters to approve or reject a Warranty claim is final and binding.

Note: To process a Warranty Claim, it is necessary to quote the Model & Serial number who are printed on the Billy Goat Serial Plate.

BILLY GOAT INDUSTRIES INC.
1803 S.W. JEFFERSON / LEE'S SUMMIT, MO 64082-2312 / USA
PHONE: 816-524-9666 FAX: 816-524-6983 www.billygoat.com